

**KEN-TEC MICROSPEAK MK2
SINGLE MESSAGE VOICE SOUNDER**

MX1000

GENERAL:

The Microspeak MX1000 is a single message voice sounder, designed for 10-24 Volts DC operation. The sounder is supplied pre-programmed and configured to play the selected message as specified when ordered. Each of the trigger terminals can be configured for N/O or N/C contacts by moving the jumper caps as shown on the schematic diagramme.

Wiring should be made in alarm cable and routed away from mains, fluorescent lighting and high voltage cables.

FITTING INSTRUCTIONS:

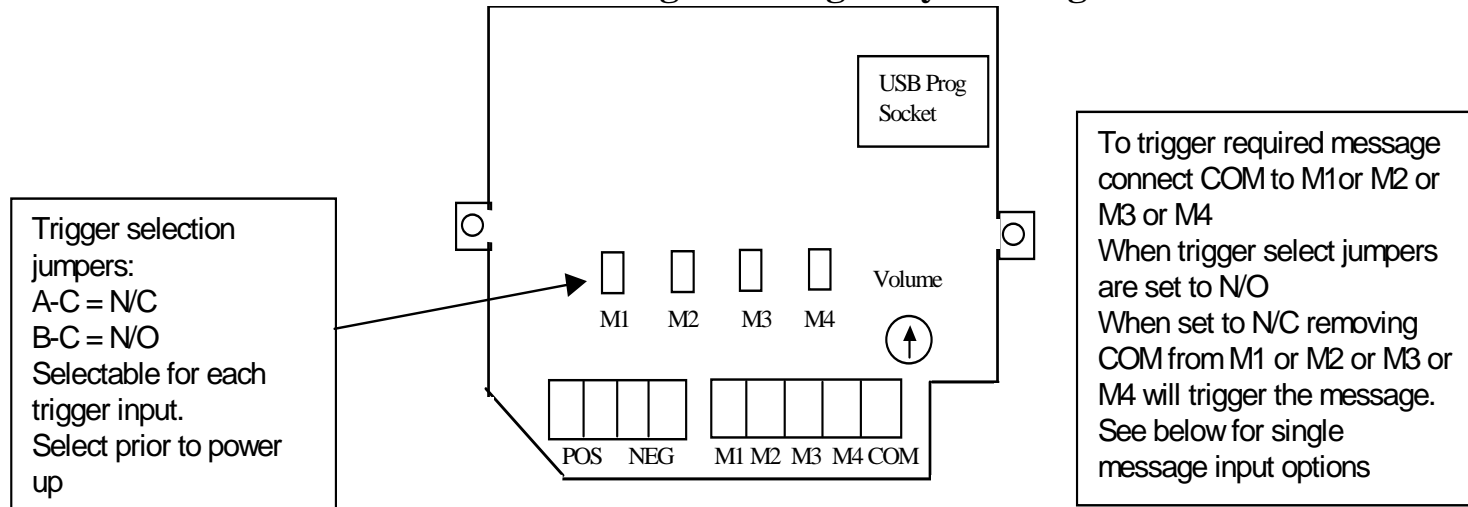
The MX 1000 is supplied pre-programmed with the specified message and configuration options requested at time of order.

- 1) Remove the back cover from the sounder which is secured by TWO "pozidrive" head screws.
- 2) Remove the two circuit board securing screws and remove the board, noting the position of the speaker wire for refitting.
- 3) Connect user wiring as required.
- 4) When all wiring connections have been made, test the sounder and adjust to the required volume. Refit the circuit board into the housing with the component side of the board facing DOWN and the terminal block facing the OPPOSITE end to the cable entry grommet.



TECHNICAL HELP LINE: 0870 7449968

MX Mk 2 PCB Single Message Layout Diagram



Single Message Programme Options:

M	OPTION
1	TRIGGER WILL PLAY 1 FULL MESSAGE AND STOP – IF TRIGGER IS STILL ACTIVE MESSAGE WILL PLAY AGAIN
2	TRIGGER WILL PLAY 1 FULL MESSAGE AND STOP – REQUIRES RE-TRIGGER TO PLAY MESSAGE AGAIN
3	TRIGGER WILL PLAY 1 FULL MESSAGE AND STOP FOR 20 SECONDS - IF TRIGGER IS STILL ACTIVE AFTER SLEEP TIME MESSAGE WILL PLAY AGAIN
4	WILL PLAY ONE FULL MESSAGE AND STOP SO LONG AS TRIGGER IS ACTIVE – WILL STOP IF TRIGGER IS REMOVED DURING MESSAGE PLAYBACK

Note: set trigger selection jumpers to B-C on the three unused message inputs

Specifications

- Operating Voltage: 10-24v DC
- Operating Current: Dependant on message and volume 175mA typical 300mA Max
- Sound output at 1M: Dependant on message and loudspeaker-95 - 110dB typical at full volume - Adjustable
- Trigger: Switched common - N/O or N/C
- Connections: 9 way 2.5mm Sq. terminal block