

MICROSPEAK MK2 SINGLE MESSAGE VOICE SOUNDER

MX1200

GENERAL:

The Microspeak MX1200 is a single message voice sounder, designed for 10-24 Volts DC operation. The sounder is supplied pre-programmed and configured to play the selected message as specified when ordered. Each of the trigger terminals can be configured for N/O or N/C contacts by moving the jumper caps as shown on the schematic diagramme.

Wiring should be made in alarm cable and all wiring should be routed away from mains, fluorescent lighting and high voltage cables.

FITTING INSTRUCTIONS:

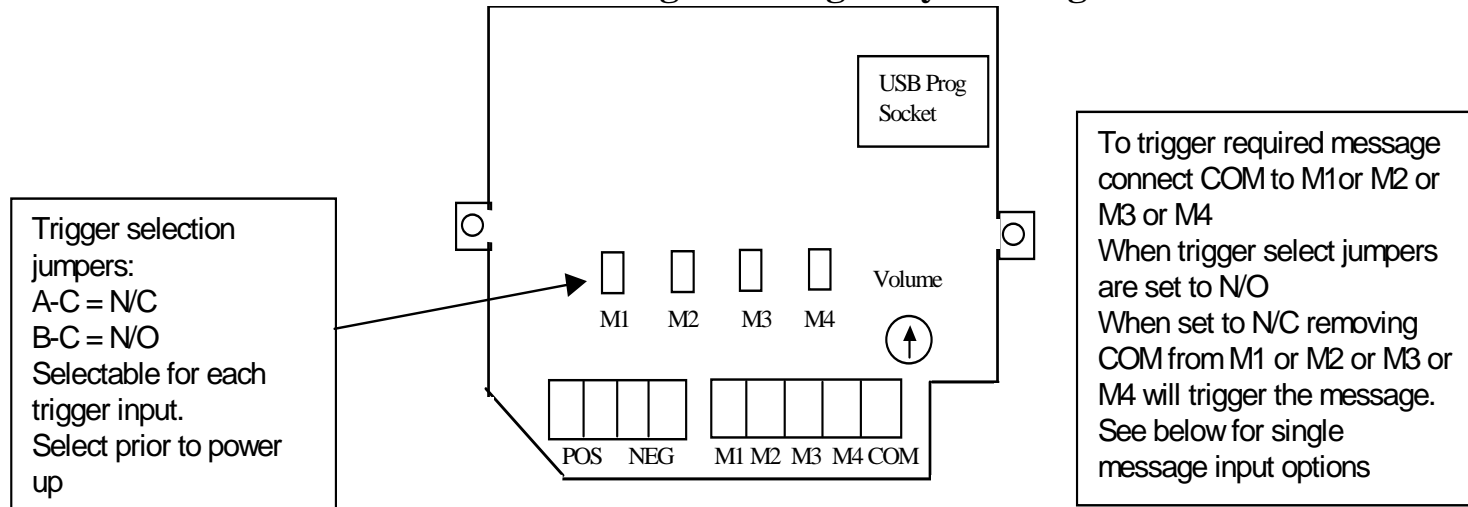
The MX 1200 is supplied pre-programmed with the specified message and configuration options requested at time of order.

- 1) Looking at the sounder housing there are two moulding marks on both halves – this identifies the bottom of the sounder. To separate the two halves squeeze both sides for the loudspeaker grille half.
- 2) Offer the sounder backing to the wall or ceiling and mark the securing screw holes. DO NOT drill through the backing holes as masonry dust can cause damage to the PCB and electronic components.
- 3) Secure the sounder backing to the wall or ceiling using suitable fixings, with sounder cables entering from the rear.
- 4) The front of the sounder casing (with the loudspeaker) can now be hung below the backing to enable wiring and adjustments to be carried out.
- 5) When all wiring connections have been made, test the sounder and adjust to the required volume.
- 6) Fit front cover by clicking into place making sure that the loudspeaker cable is pushed away from the bottom of the loudspeaker magnet.



TECHNICAL HELP LINE: 0870 7449968

MX Mk 2 PCB Single Message Layout Diagram



Single Message Programme Options:

M	OPTION
1	TRIGGER WILL PLAY 1 FULL MESSAGE AND STOP – IF TRIGGER IS STILL ACTIVE MESSAGE WILL PLAY AGAIN
2	TRIGGER WILL PLAY 1 FULL MESSAGE AND STOP – REQUIRES RE-TRIGGER TO PLAY MESSAGE AGAIN
3	TRIGGER WILL PLAY 1 FULL MESSAGE AND STOP FOR 20 SECONDS - IF TRIGGER IS STILL ACTIVE AFTER SLEEP TIME MESSAGE WILL PLAY AGAIN
4	WILL PLAY ONE FULL MESSAGE AND STOP SO LONG AS TRIGGER IS ACTIVE – WILL STOP IF TRIGGER IS REMOVED DURING MESSAGE PLAYBACK

Note: set trigger selection jumpers to B-C on the three unused message inputs

Specifications

- Operating Voltage: 10-24v DC
- Operating Current: Dependant on message and volume 175mA typical 300mA Max
- Sound output at 1M: Dependant on message and loudspeaker-95 - 110dB typical at full volume - Adjustable
- Trigger: Switched common - N/O or N/C
- Connections: 9 way 2.5mm Sq. terminal block